

DANVER

ORP/ORS – Refrigerator End Panel and Spacer Installation Instructions

Notes/Tips

ORP (Refrigerator Side Panel - 28-5/8" Wide x 30" Tall x 3 7/8" Thick (includes legs))

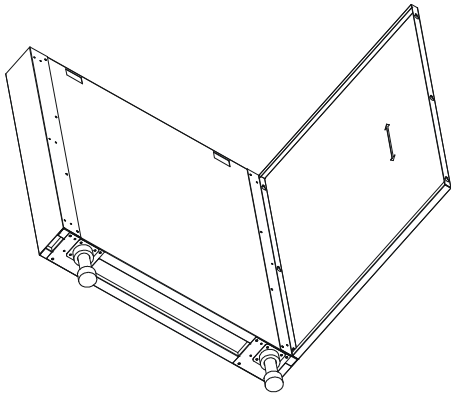


- The ORP consists of the 3 7/8" thick end panel for use next to a refrigerator at the end of a cabinet run. The ORP consists of the end panel and stabilizer bracket.
- The finished (outside) side is covered with a protective peel coat.
- The ORS is built in several sizes to accommodate different sized refrigerators and to back multiple refrigerator, refrigerator/ice maker, or refrigerator/freezer combinations. The ORS is used as either a spacer (when against a wall) or back panel (when in an island configuration).

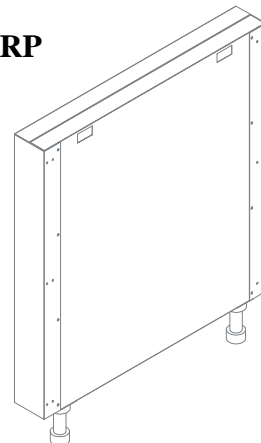
1. The ORP is designed to be on either side of the cabinet run with the grained side exposed. Determine which side it will be on so the leg cups are installed in the right locations.
2. Turn the ORP on its side so the screw holes are visible. Locate the front of the ORP (either for the left or right), and locate using the rear holes of each set. Screw the leg cups into the holes using the supplied screws.
3. Attach the brace to the ORP and to the adjacent cabinet for stabilization.

ORS

1. Partially install 3 screws (supplied) into the back flange of the cabinet adjacent to the refrigerator space (if NO back panels are installed) or to the side of the back panel of that cabinet (if installed).
2. Partially install 3 screws (supplied) into the other cabinet (flange or back panel) or the ORP.
3. Hook the keyhole connectors on the ORS (keyhole slot UP) onto the partially installed screws and drop in place to lock in position. Tighten screws.



ORP



OAF/OAR – Angle Filler Front and Rear (with Spacer) Installation Instructions

Installation Instructions

Notes/Tips

--The OAF (90 or 45) provides a predetermined angle for the cabinets to follow.

--The OAR (90 or 45) consists of the angle filler and 2 spacer panels of predetermined size so no calculations are necessary. The OAR completes the back of the void between the cabinets and provides a landing space for the counter top.

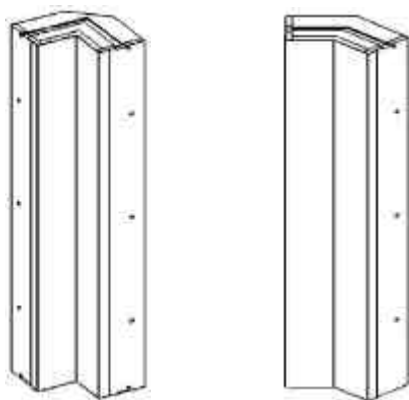
OAF

1. The OAF is easily installed by partially installing 3 screws (supplied) into the front flanges of the cabinets on either side of the angle.
2. Hook the keyhole connectors on the ORS (keyhole slot UP) onto the partially installed screws and drop in place to lock. Tighten screws.

OAR

3. Partially install 3 screws (supplied) into the back flanges of the cabinets affected by the angle (if NO back panels are installed) or to the sides of the back panels of those cabinets (if installed).
4. Partially install 3 screws (supplied) into both sides of the OAR. Install leg in leg cup.
5. Hook the keyhole connectors on the OAR panels (keyhole slot UP) onto the partially installed screws on the cabinets and OAR and drop in place to lock in position. Level OAR by turning leg. Tighten all screws.

OAF



OAR

