

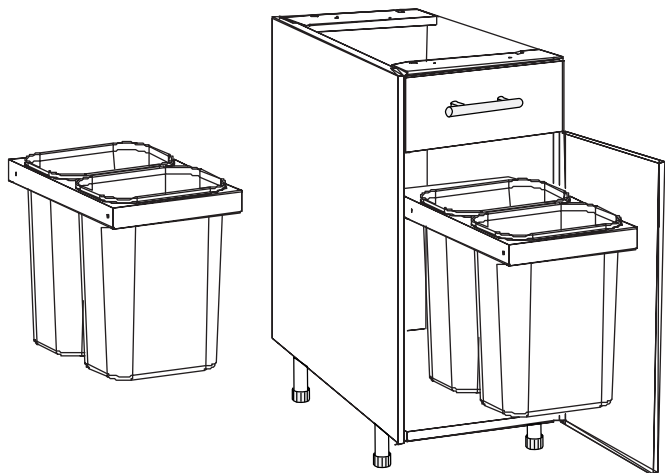
STAINLESS ACCESSORIES SPECIFICATIONS

ACCESSORIES

Engineered to complement cabinetry...

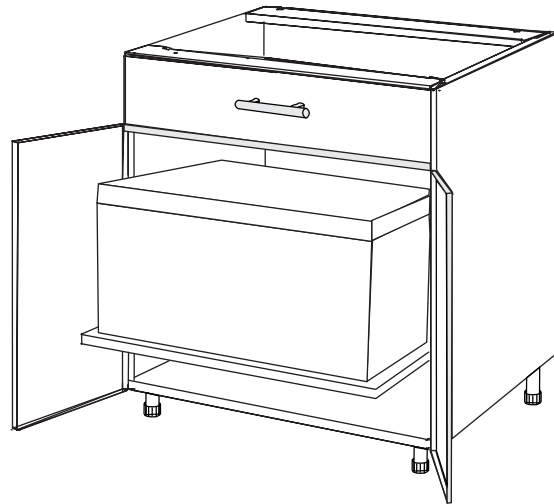
For a complete listing of accessories, please consult the price list.

OTPXX Trash Pullout

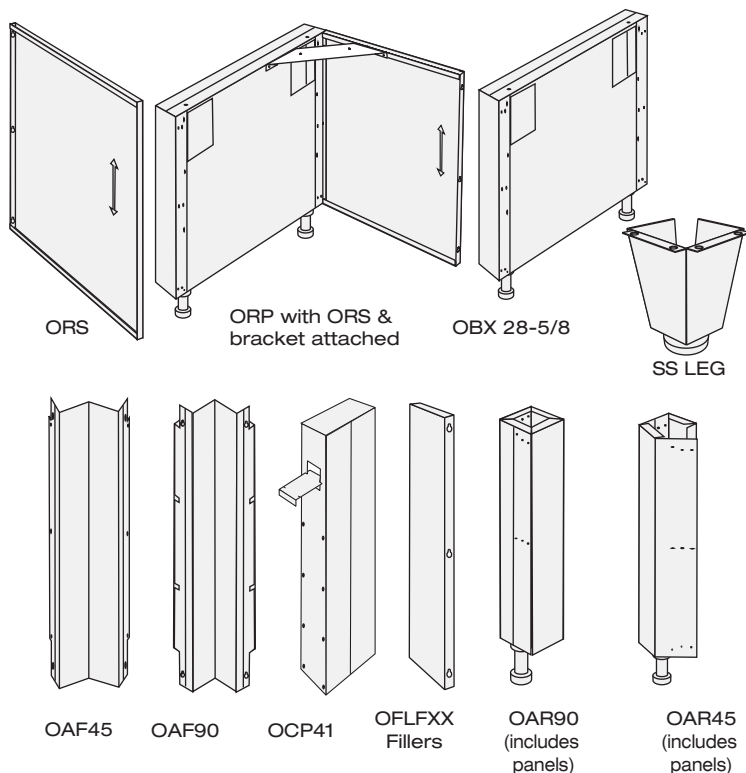


Shown above installed in an OBD1811 cabinet, trash pullouts are designed to fit 15" - 24" wide OBF, OBD, and Side Burner cabinets, and 33", 36", 42" & 48" Grill cabinets.

OSHXX P Pullout Shelf



Shown above to hold an ice chest, pullout shelves may be placed at various heights and installed in OBF, OBD, and Refreshment Center cabinets.



Partial Accessory List

Teak Doors (Keywest door, solid drawer) & Teak Inserts (for Rio doors)
ORS 15, 24, 27, 31, 39 Refrigerator spacer/back panel
ORP 28 5/8, 32 1/8 Refrigerator End Panel, 3 7/8" thick
OBX 28 5/8 (28 5/8 D) 3 7/8" Thick Box Column
OSP* 28 5/8, 32 1/8 Finished End Panel, 3/4" thick
OBP* 12, 15, 16.5, 18, 21, 24, 27, 30
Back Panels (for islands)
OBPV* 12, 15, 16.5, 18, 21, 24, 27, 29, 31
Side burner, grill back panels with vents
OAF45, OAF90 Front Angle Filler
OAR45, OAR 90 Rear Angle Filler includes 2 panels
OCP41, 41" Raised Counter Pier
OTK4, OTK6 4" or 6" Toe Kick, 96" lengths
OSH, OSHP 12, 15, 18, 21, 24, 27, 30, 33, 36
Optional Shelves (P= Pullout Shelves)
SS Leg

*Galvanized filler panels also available

DANVER

STAINLESS STEEL CABINETRY

1 GRAND STREET, WALLINGFORD, CT 06492 • PHONE: 203 269-2300 • FAX: 203 265-6190 • TOLL FREE: 888 441-0537